

MTX

ALL-WEATHER COAXIAL SPEAKERS



PS65C

Let's Get Social
mtx.com



Like, Follow, & Subscribe

© 2023 MiTek Corporation. All rights reserved. MTX is a trademark of MiTek Corporation. All other trademarks are property of their respective owners. Designed and Engineered in the U.S.A.
Due to continual product development, all specifications are subject to change without notice.
MTX Audio, 4545 East Baseline Rd. Phoenix, AZ 85042 U.S.A. 1-800-225-5689
MTX007151 RevB 8/23 • AW0016154 • 1-19254

INTRODUCTION

Congratulations on the purchase of your new MTX Audio product. At MTX, we strive to create products that deliver musical reproduction at its best, and we are happy that you chose us for your audio needs. Through our years of engineering experience, hands-on development, and stringent testing procedures, we have created a family of products that deliver the musical experience you not only want but deserve.

For best performance and longevity of your audio gear, we recommend you have your new MTX product installed by an Authorized MTX Audio Dealer. Their installation knowledge and expertise will ensure you get the most out of your new equipment while safeguarding against potential issues. Also, please read your product warranty carefully and retain your receipt and original carton for possible future use.

We're here to help with any installation or technical support. Visit www.mtx.com to chat, call 1-800-225-5689 to speak with an MTX Technical Support representative, or visit www.youtube.com/user/MTXAudioUSA to view product videos.

Don't forget to register your new MTX Audio product. Visit www.mtx.com/productregistration or scan the QR code below.

Model # _____

Serial # _____

Dealer's Name _____

Date of Purchase _____



TABLE OF CONTENTS

2. Introduction / Safety
3. Features / Ratings / Package Contents
4. Installation
5. Wiring
6. Specifications / Diagrams
8. Warranty

SAFETY

- Please read and follow these instructions to prevent injury and damage to the unit.
- If you are unsure about installing the system by yourself, please have it installed by a qualified MTX Audio technician.
- Whenever working on the vehicle, it is recommended to disconnect the battery prior to starting work. Failure to do so may lead to a risk of electric shock or equipment damage.

When connecting power and ground wires ensure that the red power wire is fused at the point where it is connected to the vehicle's battery. Failure to do so can result in damage to the vehicle if a short circuit develops between the vehicle connection point and the product.

⚠ WARNING: This symbol with "WARNING" is intended to alert the user to the presence of important operating and maintenance (servicing) instructions in the literature accompanying the product.

⚠ CAUTION: This symbol with "CAUTION" is intended to alert the user to the presence of important operating and maintenance (servicing) instructions in the literature accompanying the product.

FEATURES

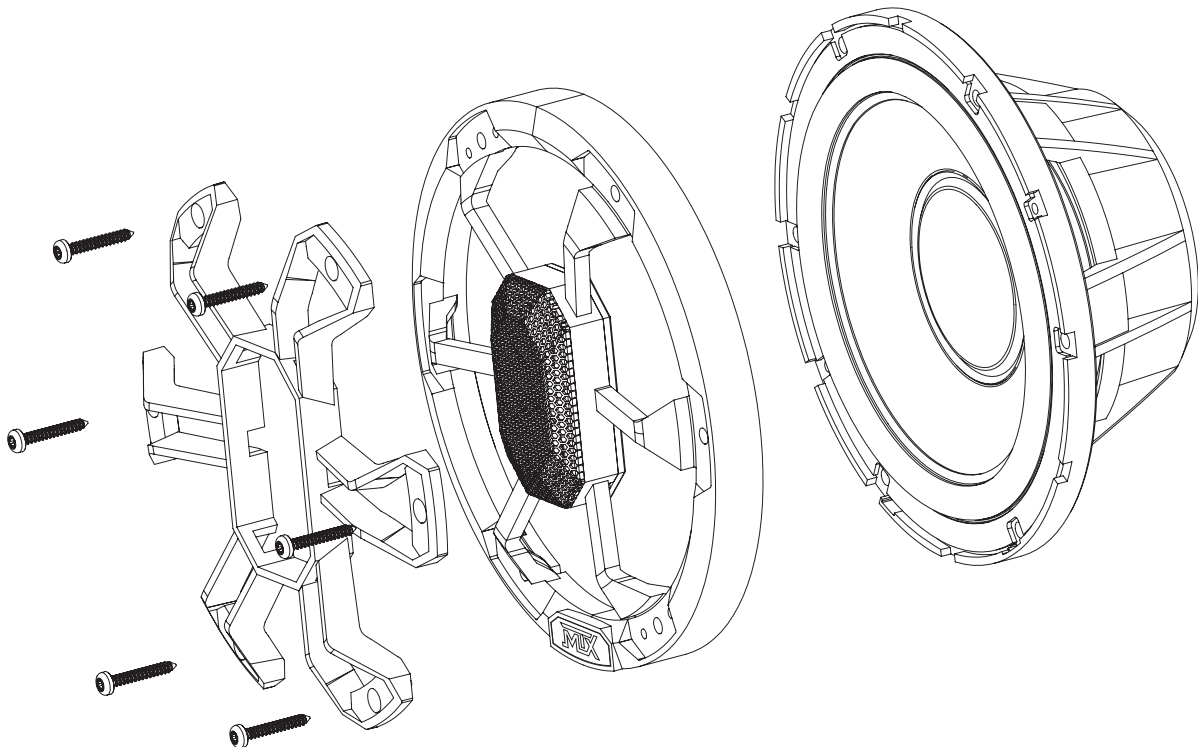
- Integrated RGB LED Lighting
- ASA Impact Resistant Grille
- Polypropylene Woofer and Dual Tetron Dome Tweeters
- Paintable Speaker Grille Overlay
- Quick Disconnect Speaker and RGB Terminals

PACKAGE CONTENTS

- (1) Pair Speakers
- (1) Cut Out Template

RATINGS

- ASTM G154 UV Testing - 500 Hours
- ISO 16750-4 Salt Spray Testing - 500 Hours (*front side only*)
- IP67 Rated (*front side only*)
- CEA-2031 Compliant



INSTALLATION

1. Determine where the speakers will be mounted. Ensure an area large enough for the speakers to mount evenly. Be sure that the mounting location is deep enough for the speaker to fit; if mounting in a door, operate all functions (windows, locks, etc.) through their entire operating range to ensure there is no obstruction.
2. Refer to the specification chart to determine the proper diameter hole to cut for your speaker model. A cut-out template will be included, and can also be found at www.mtx.com
3. Mark the locations for mounting screws. Drill the holes with a $\frac{1}{8}$ " bit.
4. Feed the speaker and RGB wires through the cutout and connect to the speaker terminals. Be sure to observe proper polarity when connecting the wires. The speaker's positive terminal is indicated with a "+"
5. Mount into place using the six (6) screws that are provided.
6. Tighten the screws until the speaker is snug in place to prevent rattling. Do not over tighten the screws.

Customize the Look

If you wish to customize the look of your speakers, the grille insert, and speaker spacer ring as highlighted in Figure 1 can be painted to match your vehicle color scheme. Remove the grille insert and speaker spacer ring from the speaker assembly before painting.

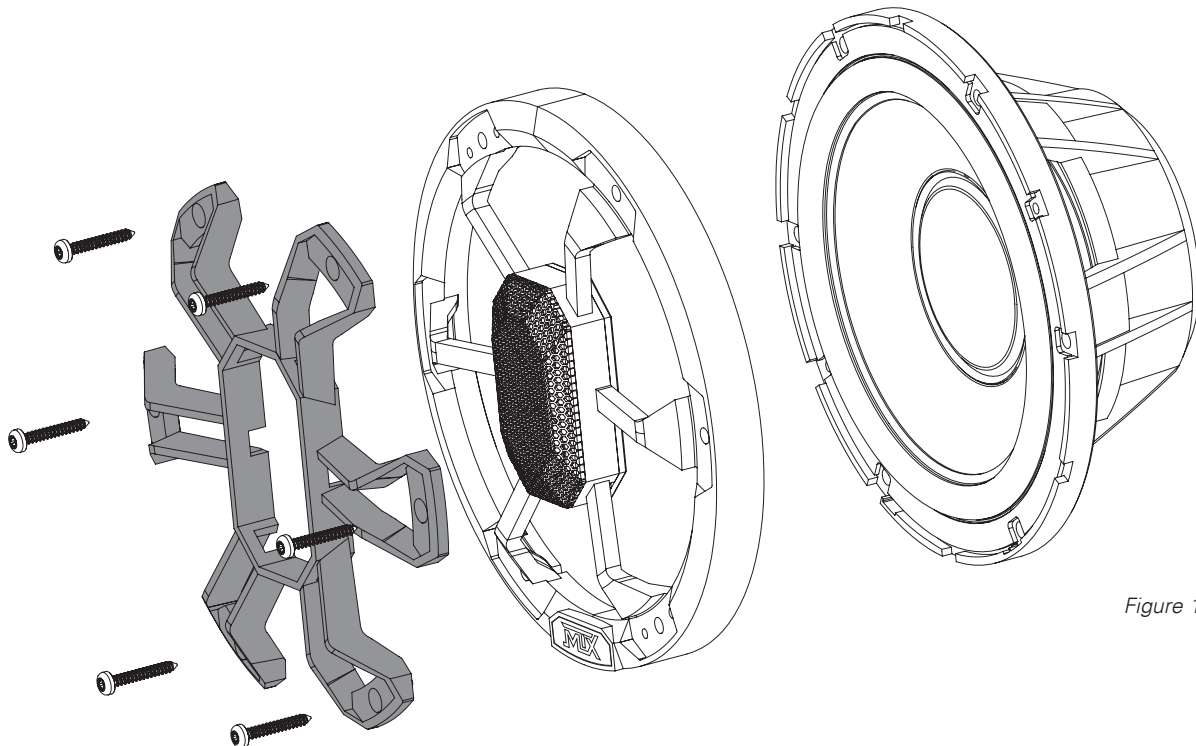


Figure 1

WIRING

1. Connect the speaker wires to your amplifier ensuring correct polarity, positive (+) and negative (-).
2. The PS65C includes speaker illumination. When hard-wiring the RGB lighting, the Black lead is +12V and the Red, Green, and Blue leads are ground. There are seven colors available, depending on the wiring configuration. MTX recommends using the **MUDLEDC** remote control (*sold separately*) for more colors, patterns and special effects.

Color Wiring Options	
Grounded Wire(s)	LED Color Output
Red	Red
Green	Green
Blue	Blue
Red / Green	Lime Green
Red / Blue	Magenta
Green / Blue	Aquamarine
Red / Green / Blue	Blue-White

Connect the colored wires on the left to make output colors on the right.

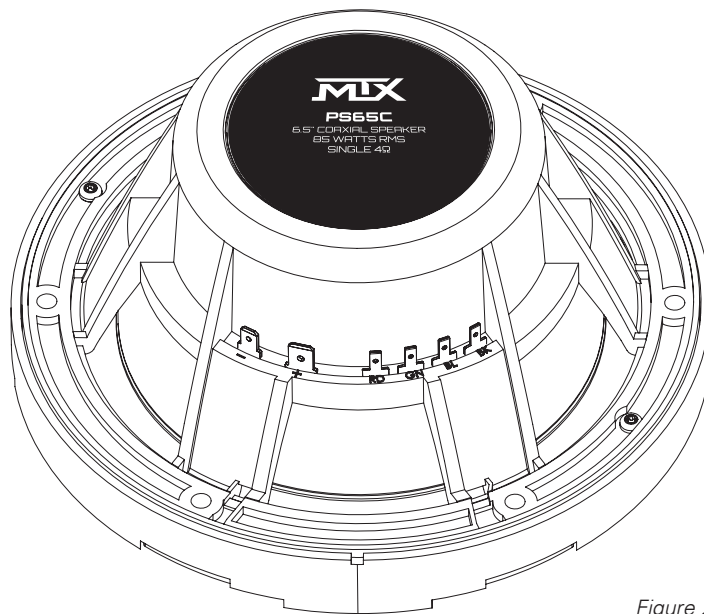


Figure 2

MTX RECOMMENDS



The MUDLEDC is a remote control and wiring control harness that is designed to work with a variety of RGB LED enabled MTX Audio products.

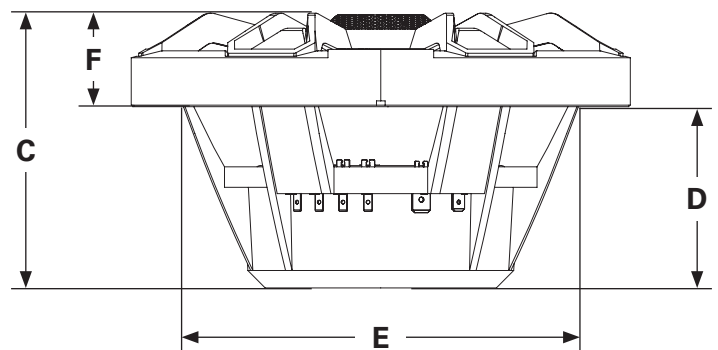
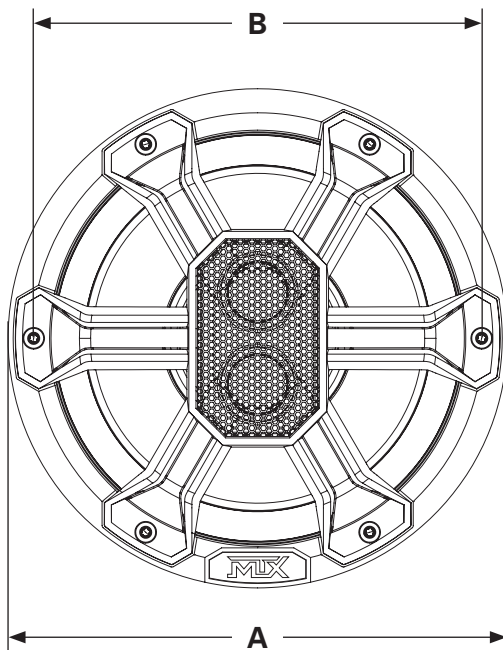


SPECIFICATIONS

<i>Model</i>	<i>Nominal Size</i>	<i>Speaker Type</i>	<i>Power Handling (RMS)</i>	<i>Power Handling (Peak)</i>	<i>Sensitivity (2.83V/1m)</i>	<i>Frequency Response</i>	<i>Impedance</i>
PS65C	6 1/2" (165mm)	Coaxial	85-Watts	170-Watts	90dB	68Hz - 20kHz	4Ω

DIAGRAMS

<i>Model</i>	<i>Overall Diameter (A)</i>	<i>Screw Mounting Diameter (B)</i>	<i>Overall Height (C)</i>	<i>Mounting Depth (D)</i>	<i>Cut-out Diameter (E)</i>	<i>Grille Height (F)</i>
PS65C	6 13/16" (173mm)	6 3/16" (156mm)	3 3/4" (95mm)	2 1/2" (62mm)	5 3/8" (136mm)	1 1/4" (32mm)



MITEK WARRANTY

MiTek Mobile products (including, but not limited to: MTX, Coustic, Streetwires, Xtant, BassSlammer, and Thunder Marine) purchased in the USA from an AUTHORIZED MITEK DEALER are guaranteed against defects in material and workmanship for two years. The warranty period begins the day the product is purchased by the end user, and this warranty is limited to the original retail purchaser of product. Products found to be defective during the warranty period will be repaired or replaced with equivalent product by MiTek at no charge. This warranty is void if it is determined that unauthorized parties have attempted repairs or alterations of any nature, and the warranty does not extend to cosmetics or finish. MiTek disclaims any liability for other incurred or consequential damages resulting from product defects. MiTek's total liability will not exceed the purchase price of the product.

We're here to help! If you experience an issue with any of our products , please contact our customer service technical line at 1-800-CALL-MTX to help troubleshoot your issue. If after speaking with our technical experts it is determined that your product is defective, the technician will provide you with a Return Authorization number and all relevant details you'll need to process your claim quickly.