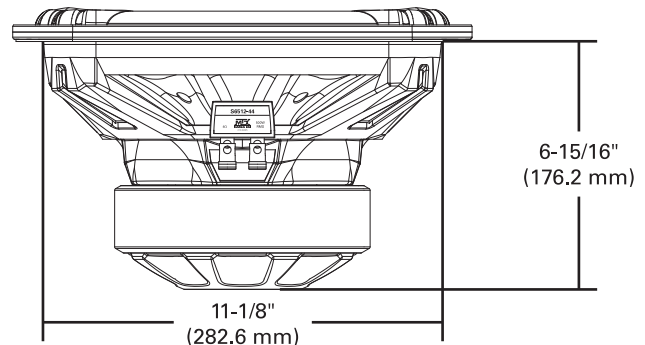
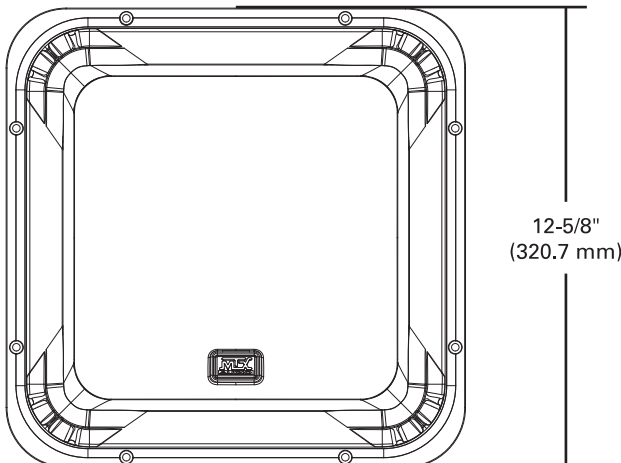


S6512-44**12" Dual 4Ω Square Subwoofer****Parameters***Los parámetros, Paramètres, Parameter*

Fs: 31 Hz
Qms: 4.96
Cms: 0.096 mm/N
Mms: 271.6 g
Rms: 10.72 kg/s
Vas: 2.55 ft³ (76 liters)
Xmax: 0.61 in (15.49 mm)
D: 10.64 in (260.7 mm)
Sd: 113.2 in² (730 cm²)
Vd: 68.47 in³ (1.128 liters)
Qes: 0.884
Re: 1.73 Ω
Bl: 10.3 Tm
Prms: 500 Watts
Qts: 0.75
n₀: 0.235%
SPL₀: 86.7 dB
SPL 2.83V/1m: 93.2 dB

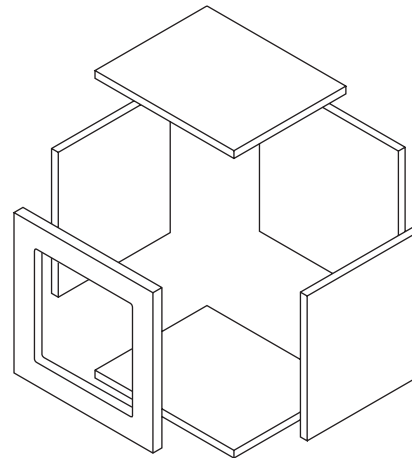
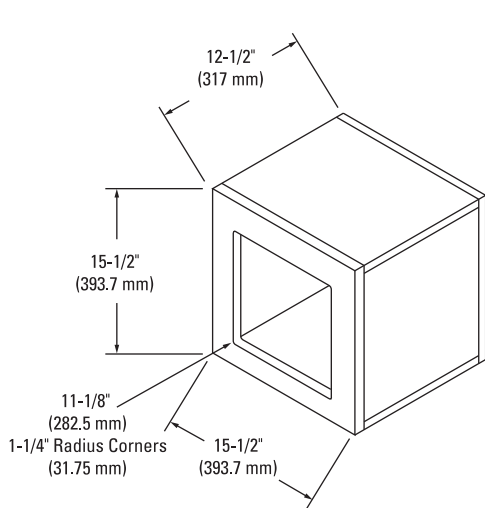
**Specifications***Las especificaciones, Specifications, Spezifikationen***Recommended Power Rating of 250 - 500 Watts RMS***La Potencia nominal recomendada, Le Pouvoir recommandé Evaluant, Empfohlene Kraft Einzuschätze*

S6512-44 Recommended Enclosures

For the best possible sound quality where space is a premium, MTX recommends using a sealed enclosure. For excellent sound quality with increased output compared to sealed enclosures (3dB or more), MTX recommends using a vented enclosure. All recommended enclosures have been designed and thoroughly tested by MTX. For additional enclosure designs check the MTX website.

Sealed Enclosure

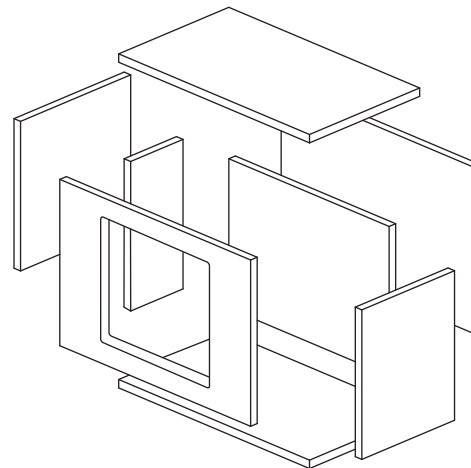
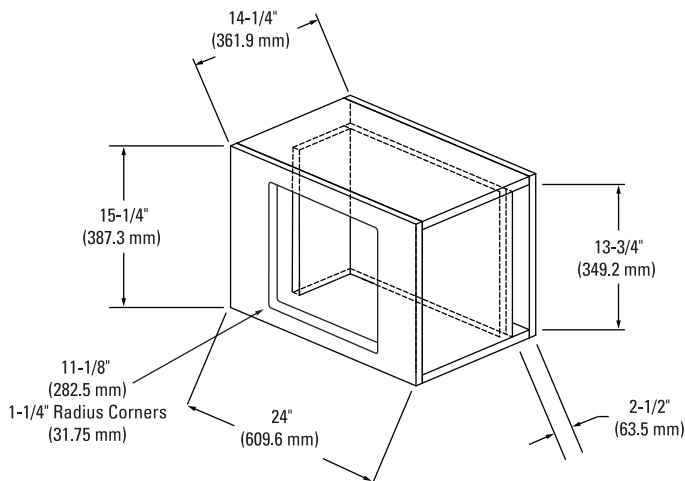
El Cerco sellado, Cloture scellée, Abgedichtete Einschließung



Net Internal Volume: 1.25 ft³

Vented Enclosure

Descargar Cerco, Clôture donnere vent, Vented Einschließung



Net Internal Volume: 2.32 ft³
Port Length: 27"